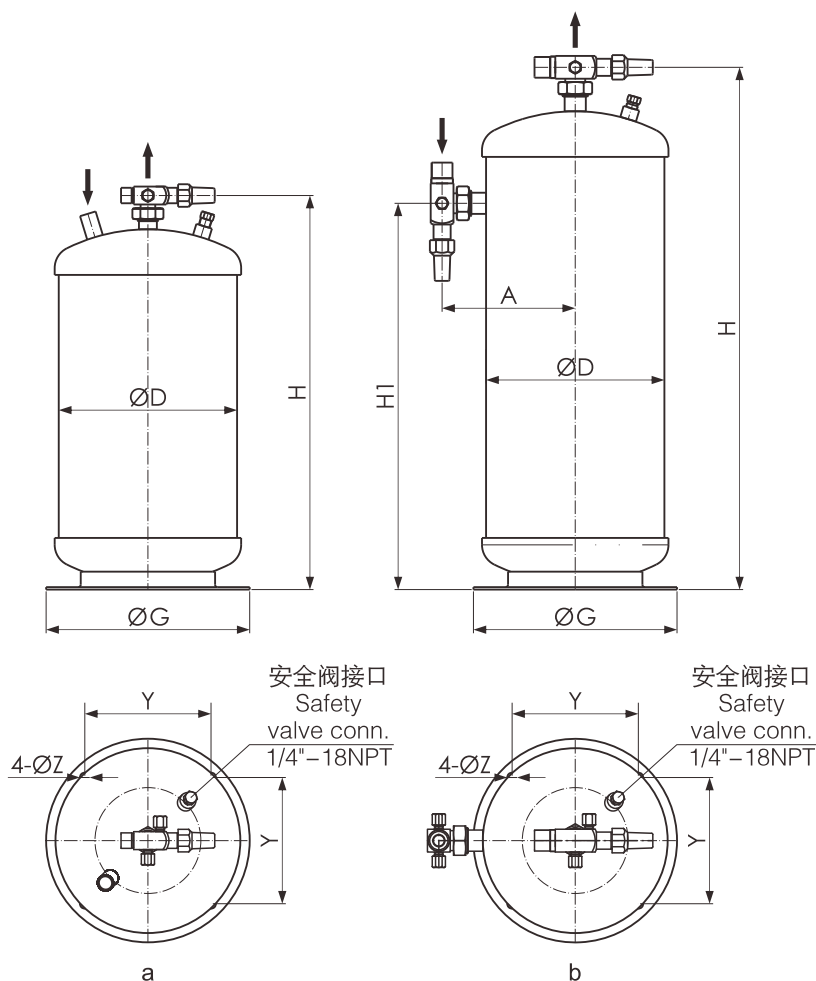


L系列立式储液器进口为ODF（钎焊）碳钢接口，出口装有截止阀。L-19、L-23、L-29三个型号进/出口均装有截止阀。所有型号均设计一个1/4"-18NPT安全阀接口。

- 设计压力：2.9 MPa；
- 适用制冷剂：R134a、R22、R407C、R404A、R507A。

The inlet of L series vertical liquid receiver is ODF(soldering) carbon steel connection. The outlet is assembled with cut-off valve. But both of the inlet and outlet of L-19、L-23、L-29 are assembled with cut-off valves. All the models are designed with 1/4"-18NPT safety valve connection.

- The design pressure: 2.9MPa;
- Applicative refrigerants: R134a、R22、R407C、R404A、R507A.



型号 Model	ØD (mm)	H (mm)	H1 (mm)	A (mm)	ØG (mm)	Y (mm)	ØZ (mm)	进口 Inlet (ODF)	出口 Outlet (ODF)	容积 Volume (l)	图例 Fig.
L-4	165	290	---	---	190	120	9.0	3/8"	3/8"	4	a
L-6	165	390	---	---	190	120	9.0	1/2"	1/2"	6	a
L-8	165	490	---	---	190	120	9.0	1/2"	1/2"	8	a
L-10	219	369	---	---	250	155	12	5/8"	5/8"	10	a
L-12	219	429	---	---	250	155	12	5/8"	5/8"	12	a
L-14	219	484	---	---	250	155	12	5/8"	5/8"	14	a
L-19	219	641	474	164	250	155	12	7/8"	7/8"	19	b
L-23	219	756	589	164	250	155	12	7/8"	7/8"	23	b
L-29	273	643	464	191	296	193	13	7/8"	7/8"	29	b