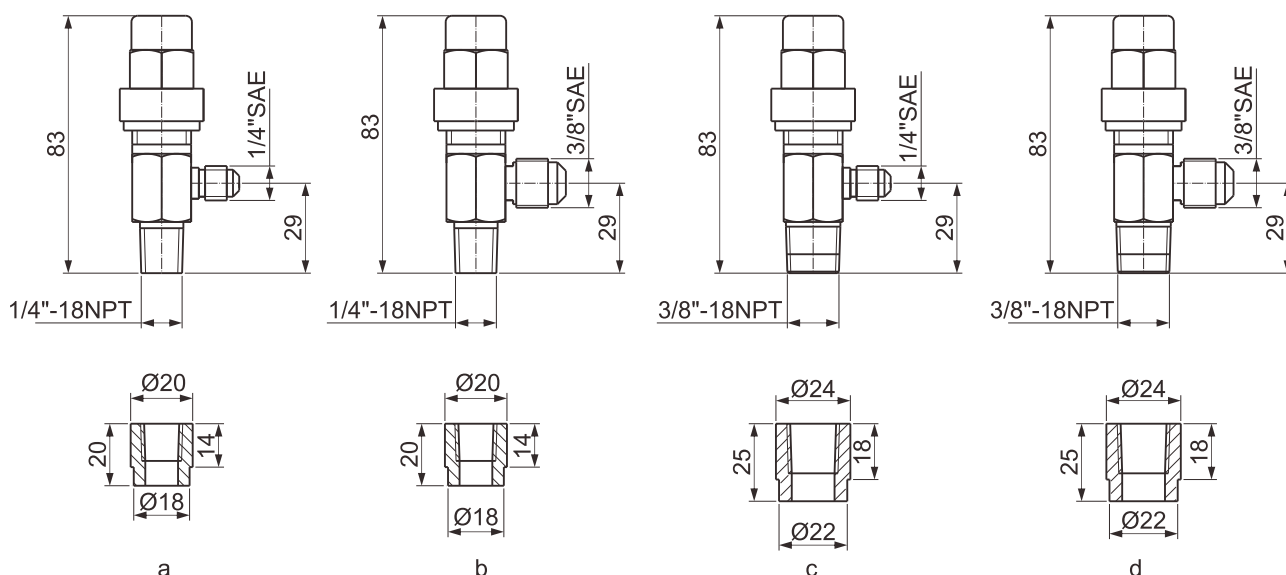


F-T系列检修阀安装在制冷压缩机吸气管路、排气管路和油管路上，通过它可以方便的检测每一段管道的压力。截止阀标配一个可以焊接在管路上的钢制NPT阀座（阴螺纹接头）。

F-T系列检修阀可以为检修压力表、压力控制器、压力传感器等元件提供方便，同时可以在维修设备时连接真空泵。

F-T Series Service Valve can be assembled in the suction line and the discharge line and the oil line of the refrigeration compressor unit. You can inspect the pressure of each section of the line conveniently by using this valve. And there is a steel NPT valve seat (female thread adapter) to this valve.

F-T Series Service Valve can supply the maintenance service to the manometer and the pressure controller and the pressure sensor conveniently, and at the same time it can be connected with the vacuum pump during maintenance the equipment.



型号 Model	A	B	图例 Fig.
F-T1	1/4"SAE	1/4"-18NPT	a
F-T2	3/8"SAE	1/4"-18NPT	b
F-T3	1/4"SAE	3/8"-18NPT	c
F-T4	3/8"SAE	3/8"-18NPT	d