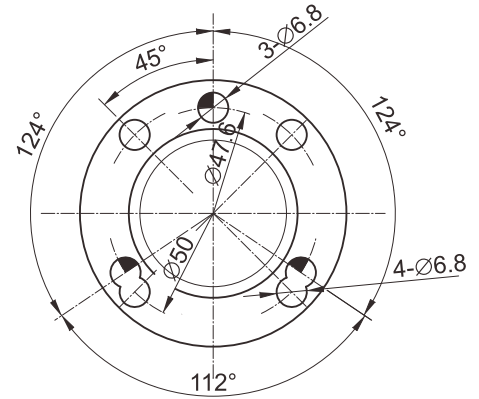


F-OL系列油位控制器是通过浮球式针阀精确的控制压缩机曲轴箱内油位的，它可以直接或通过相应型号的适配器与各种压缩机连接，并机组的多台压缩机可以水平方向安装也可以垂直方向安装。

- 最大许可工作压力：31 bar；
- 供油接口尺寸：3/8" SAE；
- 适用制冷剂：R134a、R22、R407C、R404A、R507A；
- 强烈推荐供油管路中必须安装FOK系列油过滤器。否则，会导致油位控制器失灵。

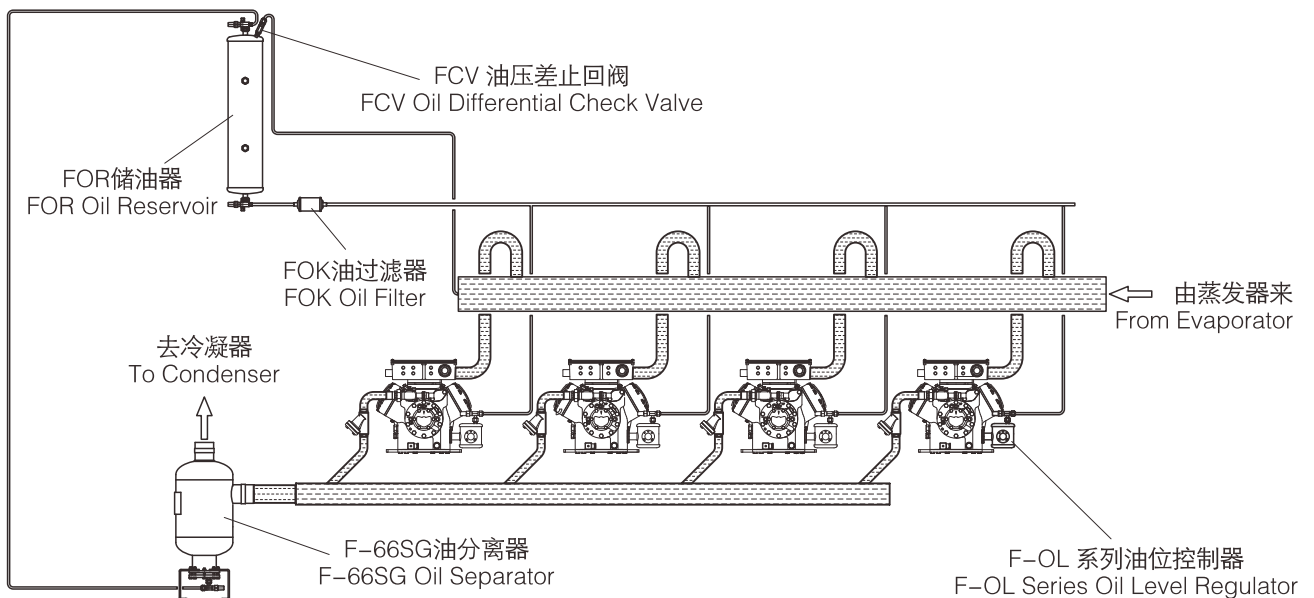
F-OL Series Oil level regulator accurately controls the oil level in compressor crankcase by float charging valve. It can be directly or by using the relevant type of adapter connected with all models of compressors. The compressors in parallel unit can be installed in horizontal direction or vertical direction.

- Max. Admissible Working Pressure: 31 bar;
- Oil-feeding connection dimension: 3/8" SAE;
- Applicative refrigerants: R134a、R22、R407C、R404A、R507A;
- It is strongly recommended to install the FOK series oil filter in the oil feeding line, or the oil level regulator will be unstucked.

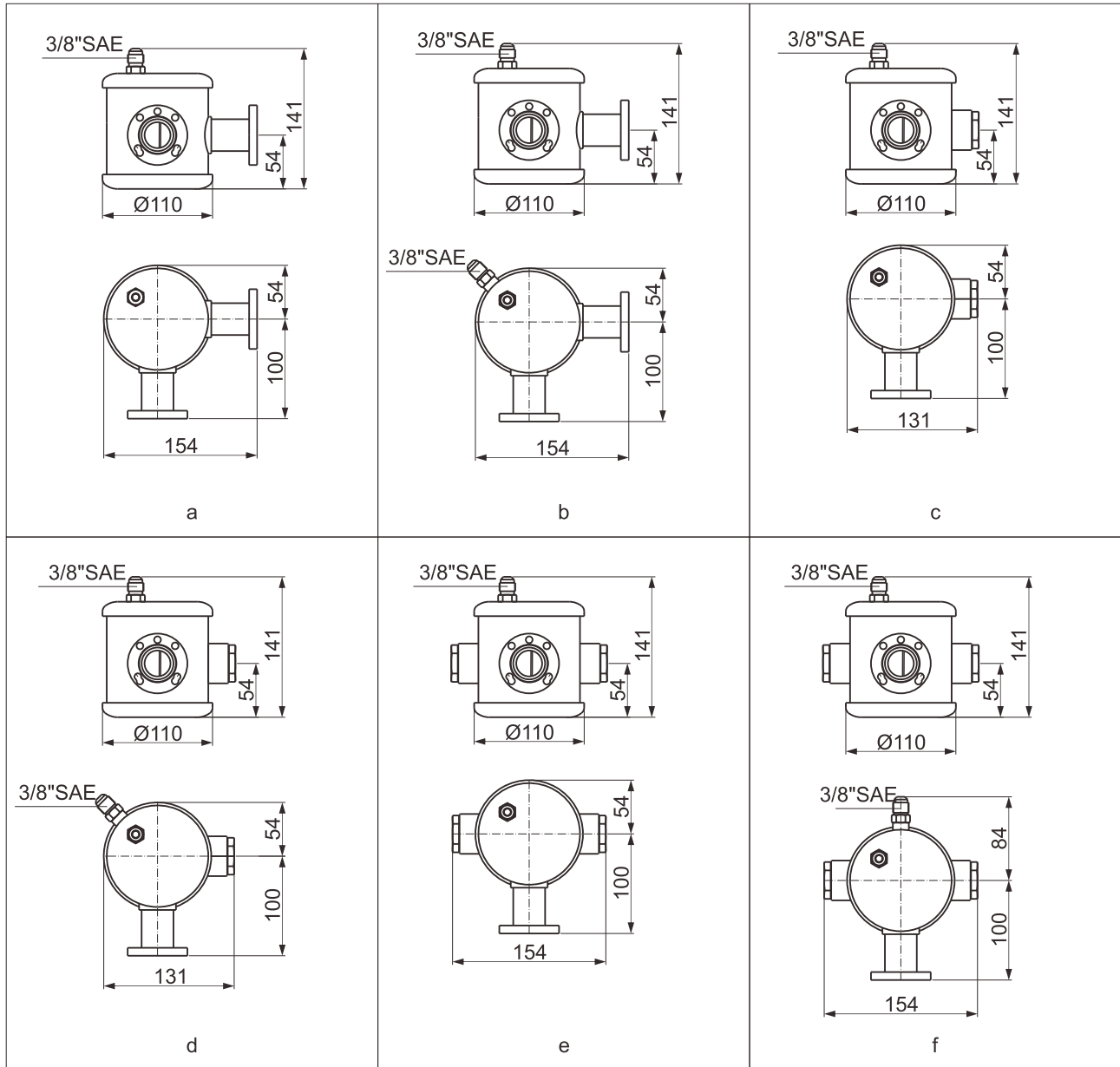


法兰尺寸
Dimension Of The Flange

低压回油系统 Low Pressure Oil Return System



传统的方式以略高于吸气管路压力回油
The traditional method is that to feed the oil slightly higher than the suction line pressure



型号 Model	形式 Version	在视镜中的油位 Oil level in the sight glass	推荐工作压差 Recommended operating pressure difference (bar)	最大工作压差 Max. adm. working pressure difference (bar)	容积 Volume (l)	图例 Fig
F-OLA-1	不可调节 unadjustable	中间 Center	1.38	4.0	0.8	a
F-OLA-2			1.38	4.0	0.8	b
F-OLB-1			1.38	4.0	0.8	c
F-OLB-2			1.38	4.0	0.8	d
F-OLC-1			1.38	4.0	0.8	e
F-OLC-2			1.38	4.0	0.8	f