

F-OM系列可调节油位控制器是通过调节浮球式针阀的位置，达到精确控制压缩机曲轴箱油位，以适应不同的制冷装置使用要求。它可以直接或通过相应型号的适配器与各种压缩机连接，并联机组的多台压缩机可以水平方向安装也可以垂直方向安装。

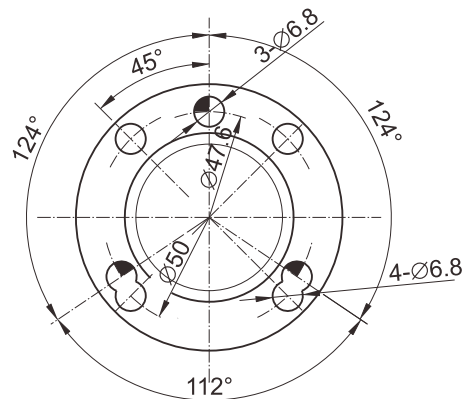
当并联的压缩机工作在不同的吸气压力下时，应选用可调节的油位控制器（双级压缩系统、运行工况复杂的系统、不同蒸发温度系统）。

- 最大许可工作压力：31 bar；
- 供油接口尺寸：3/8" SAE；
- 适用制冷剂：R134a、R22、R407C、R404A、R507A；
- 强烈推荐供油管路中必须安装FOK系列油过滤器。否则，会导致油位控制器失灵。

F-OM Series adjustable oil level regulator accurately controls the oil level in compressor crankcase by adjusting the position of float charging valve in order to adapt the requirement of the different refrigerant vessels. It can be directly or by using the relevant type of adapter connected with all models of compressors. The compressors in parallel unit can be installed in horizontal direction or vertical direction.

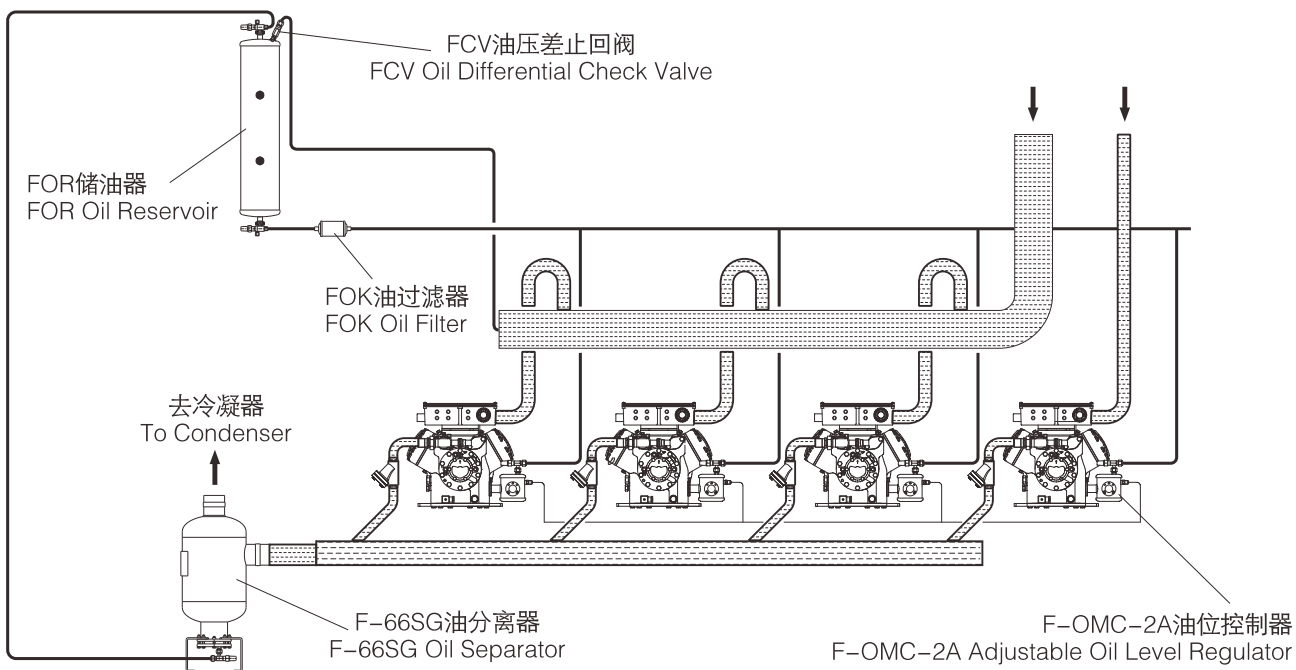
The adjustable oil level regulator (two-stage compression system, the complicated working condition system, the different evaporated temperature system) will be used when the compressors in parallel unit are working in the different suction pressure.

- Max. Admissible Working Pressure: 31 bar;
- Oil-feeding connection dimension: 3/8" SAE;
- Applicative refrigerants: R134a、R22、R407C、R404A、R507A;
- It is strongly recommended to install the FOK series oil filter in the oil feeding line, or the oil level regulator will be unstucked.

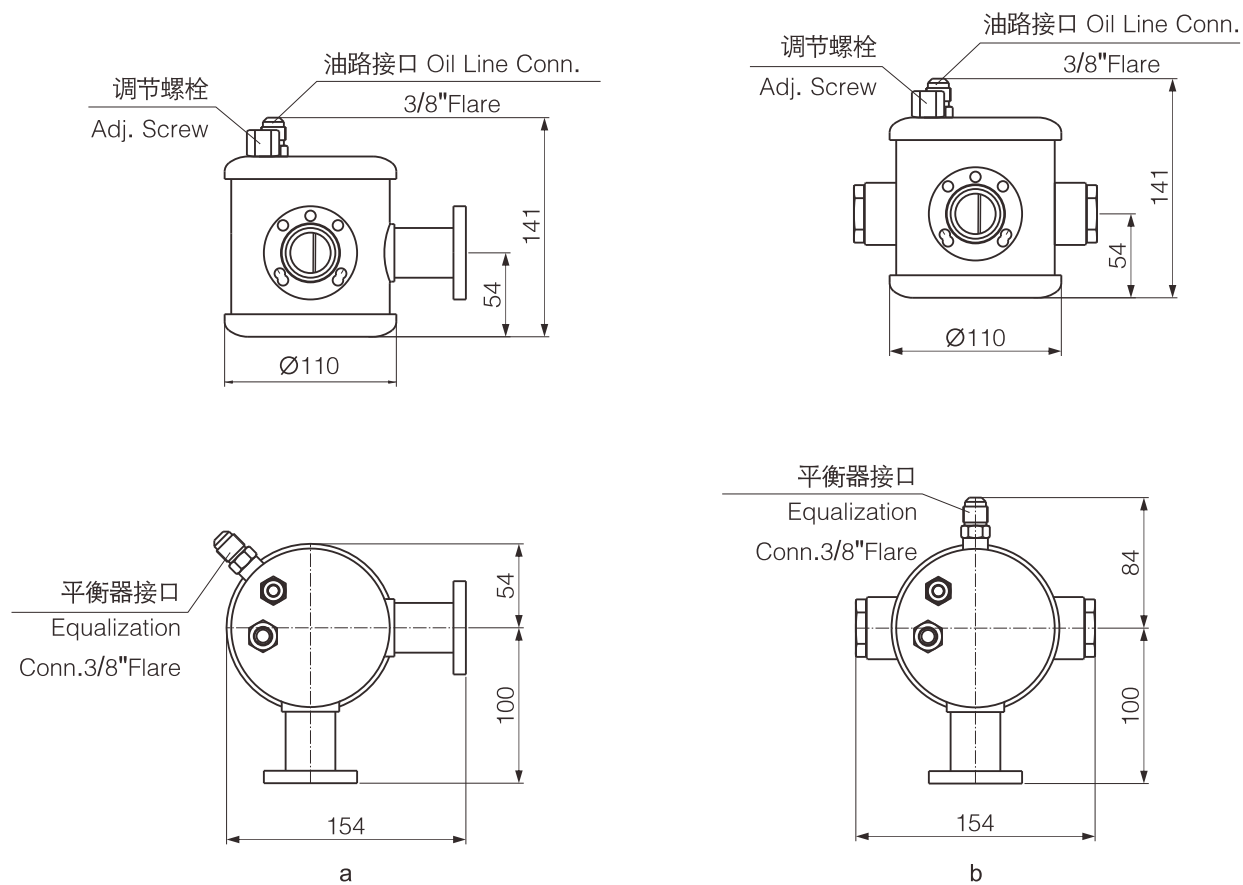


法兰尺寸
Dimension Of The Flange

不同蒸发温度系统 Different Evaporator Temperature System



传统的方式以略高于吸气管路压力回油
The traditional method is that to feed the oil slightly higher than the suction line pressure



型号 Model	形式 Version	在视镜中的油位 Oil level in the sight glass	推荐工作压差 Recommended operating pressure difference (bar)	最大工作压差 Max. adm. working pressure difference (bar)	容积 Volume (l)	图例 Fig
F-OMA-2A	可调节 Adjustable	中间 +5/-5 mm Center +5/-5 mm	1.38	6.5	0.8	a
F-OMC-2A		1.38	6.5	0.8	b	