

储油器用于储存未蓄留在压缩机曲轴箱内，又不在于油分离器中，也不再系统中进行循环的润滑油。在储油器里，所有溶于润滑油中的制冷剂都会被蒸发出来，润滑油同时得到冷却。

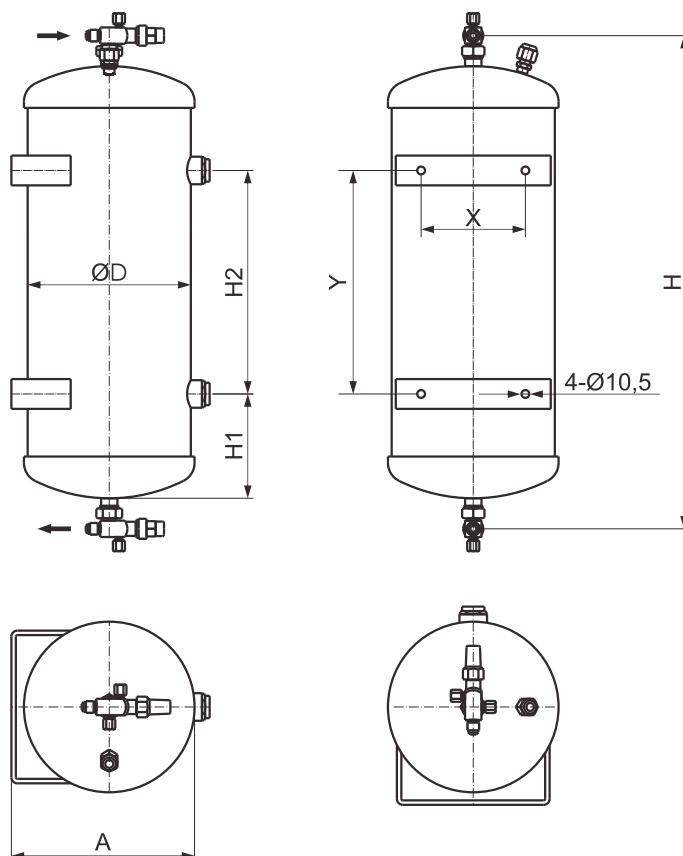
强烈推荐供油管路中必须安装FOK系列油过滤器。否则，油中的脏物会导致油位控制器失灵。

- 安装方法：垂直安装；
- 建议储油器下部的出油口高于压缩机视油镜0.5 m安装；
- 储油器上需要安装一个FCV油压差止回阀；
- 设计压力：2.9MPa；
- 适用制冷剂：R134a、R22、R407C、R404A、R507A。

FOR Series Oil Reservoir is used for storing the lubricant which have not been remained in the compressor crankcase or not in the oil separator or not in the circulation of the system. Inside of the oil reservoir all the refrigerant which have been melted in the lubricant can be evaporated, and the lubricant will be cooled at the same time.

It is strongly recommended to install FOK series oil filter in the oil feeding line, or the dunghill in the oil will lead to the malfunction of the oil level regulator.

- Installation method: Vertical installation;
- The outlet at the bottom of the oil reservoir must be installed 0.5m higher than the oil sight glass of the compressor;
- It should be installed one piece of FCV-20 oil pressure differential check valve to the oil reservoir;
- The design pressure: 2.9MPa;
- Applicative refrigerants: R134a、R22、R407C、R404A、R507A.



型号 Model	进、出口尺寸 Inlet/Outlet Size (SAE)	ØD (mm)	H (mm)	H1 (mm)	H2 (mm)	A (mm)	X (mm)	Y (mm)	容积 Volume (l)
FOR-6	3/8"	140	528	93	260	164	45	260	6
FOR-8	3/8"	165	516	106	220	186	80	220	8
FOR-10	3/8"	165	621	109	320	186	80	320	10
FOR-12	3/8"	165	721	139	360	186	80	360	12
FOR-14	3/8"	219	518	135	164	242	140	164	14
FOR-19	1/2"	219	663	140	300	242	140	300	19
FOR-23	1/2"	219	778	138	420	242	140	420	23