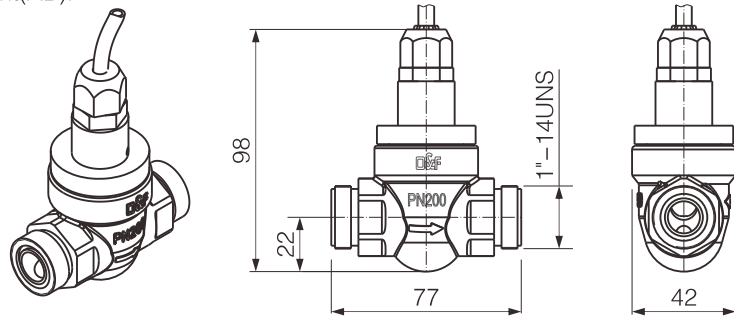


FYL 系列产品可以监控螺杆机油流量，当螺杆机油流量低于接通最小流量时，活塞开关自动断开，保护轴承和转子免受无润滑的影响，减少设备维护费用，进出口配有 1"-14UNS 阳螺纹。

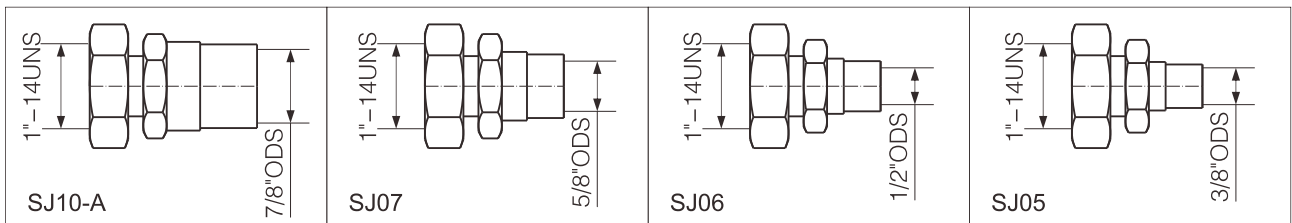
- 为了开关能长久的工作必须对开关簧片进行保护，不可以直接连入低压电路；
- 高效的流量通道，确保极低的压力降；
- 输入电源：220V/AC/50Hz；
- 最大许可工作压力：31 bar；
- 最高油温：120 °C；
- 适用润滑油：矿物冷冻机油 (MO)，多元醇酯合成冷冻机油 (POE)，烷基苯合成冷冻机油 (AB)。

FYL Series products can be used for monitoring the oil flow of the screw compressor. When the oil flow of screw compressor is lower than the minimum value, the piston switch will be cutted-off automatically, it will prevent the bearing and rotator from effect by lacking of lubricant, so the maintenance cost will be decreased. The inlet and outlet are assembled with 1"-14UNS male screw.

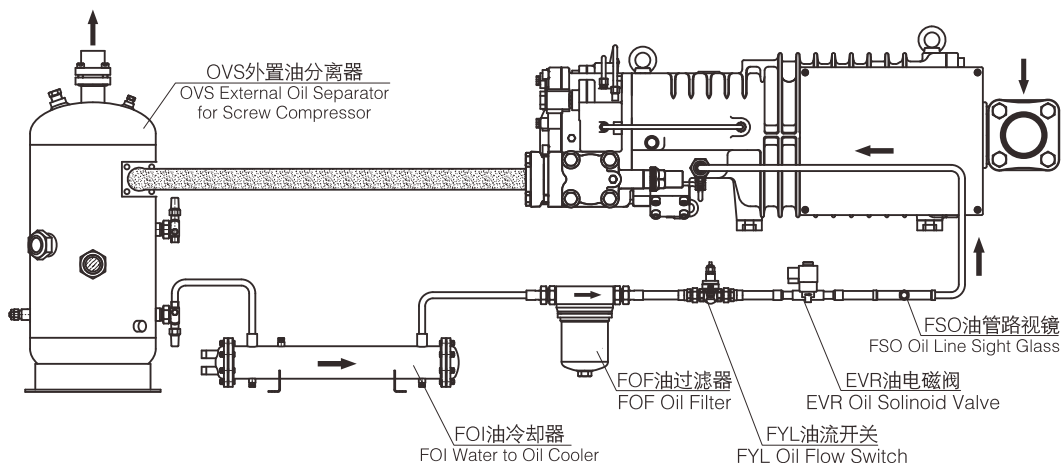
- Do please protect the switch reed for its long working life, please do not directly connect it into low voltage circuit.
- High-efficiency flow passageway which can guarantee the lowest pressure-drop.
- Input voltage : 220V/AC/50Hz ;
- Max. admissible working pressure : 31 bar ;
- Max. oil temperature : 120 °C ;
- Can be used with mineral oil (MO)、full synthetic (POE)、semi-synthetic lubricant(AB).



FYL 油流开关用直线接头



型号 Model	接通最小流量 Swith on min. Flow	连接 Connections
FYL-04	4 l/min	1"-14UNS
FYL-06	6 l/min	1"-14UNS
FYL-08	8 l/min	1"-14UNS
FYL-10	10 l/min	1"-14UNS



性能参数:

- 输入电源: 220V/AC/50Hz
- 继电器触点容量: 250V/AC/5A

工作原理:

1、控制模块上电, 继电器常开点接通, 延时3s, 当检测到油流开关为接通状态, 指示灯亮, 继电器常开点继续接通。当检测到油流开关为不接通状态, 指示灯灭, 继电器常开点断开, 常闭点接通。

2、当油流开关检测到油流量低于最小接通流量后, 指示灯灭, 延时 $5s \pm 2s$, 继电器常开点断开, 常闭点接通。

Performance parameter:

- Input voltage: 220V/AC/50Hz;
- Contact capacity of Relay: 250V/AC/5A;

Operational principle:

1、When the control module is powered on, the normally open contacts of relay will be connected, and have time delay with 3s. When it is checked that the oil flow switch is connected, the indicator lighting and the normally open contacts of relay continue to be connected. When it is checked that the oil flow switch is disconnected, the indicator will lighting-off and the normally open contacts of relay will be disconnected, and the normally close contacts will be connected.

2、When it is checked that the oil flow is lower than the min. switch on flow, the indicator will lighting-off, and have time delay with $5s \pm 2s$, the normally open contacts of relay will be disconnected, and the normally close contacts will be connected.

